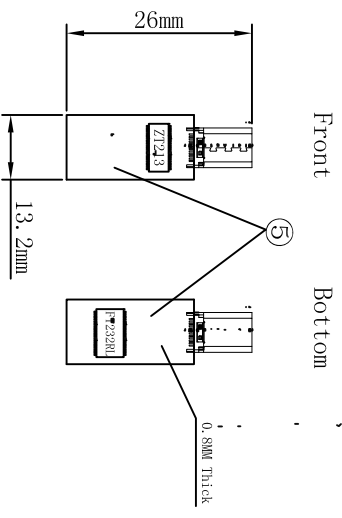
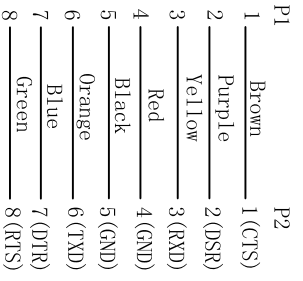


FT232RL+ZT213 PCB



WIRING DIAGRAM



CODE	PART	SPECIFICATION	QTY	UNIT	P/N
①	CABLE SPEC.	UL20251 28AWG (7/0.12AS) * 8C OD=2.5*9.0mm PVC Light Blue	1	PCS	
②	PLUG	USB 3-1/Type-C Plug; Ni-plated with black plastic.	1	PCS	
③	Plug	RJ45 8P8C Jack with Gold-plated Pins	1	Kg	
④	Plastic	Overmolding;45P PVC Plastic;Light Blue	22	g	
⑤	PCB	RS232 Console PCB with original FT232RL+ZT213 Chipset	1	PCS	

CODE	PART	SPECIFICATION	QTY	UNIT	P/N
SPECIFICATION					